

Millennium



Specifications

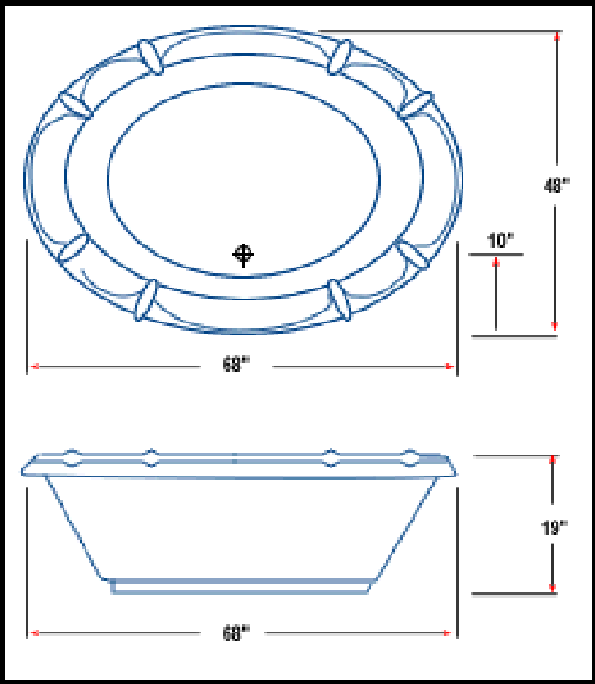
Dimensions: 68" x 48" x 19"

Water Capacity: 82 Gallons

Drain Position: 10" & Centered

Number of Jets: 8

Note: Dimensions may vary + - 1/2 inch



Colors Available

| | | | | | | |
|-------|------|---------|---------|----------|--------------|-------|
| | | | | | | |
| White | Bone | Biscuit | Sandbar | Ice Gray | Mexican Sand | Black |

www.whitewaterinc.com

| | | | |
|--------------------------------------------------------------------------------------|-------------------------------------------------------------------------------|-----------------------------------------------------------------------------------|------------------------------------------------------|
| Utah County Showroom 801-785-3554 195 S. Geneva Rd. Lindon, UT 84042 | Sandy Showroom 801-566-8555 9160 S. 300 W. #5 Sandy, UT 84070 | Layton Showroom 801-547-5005 377 Marshall Way #6 Layton, UT 84041 | St. George Showroom 435-688-0390 Dealer |
|--------------------------------------------------------------------------------------|-------------------------------------------------------------------------------|-----------------------------------------------------------------------------------|------------------------------------------------------|