

# Emerald



### Specifications

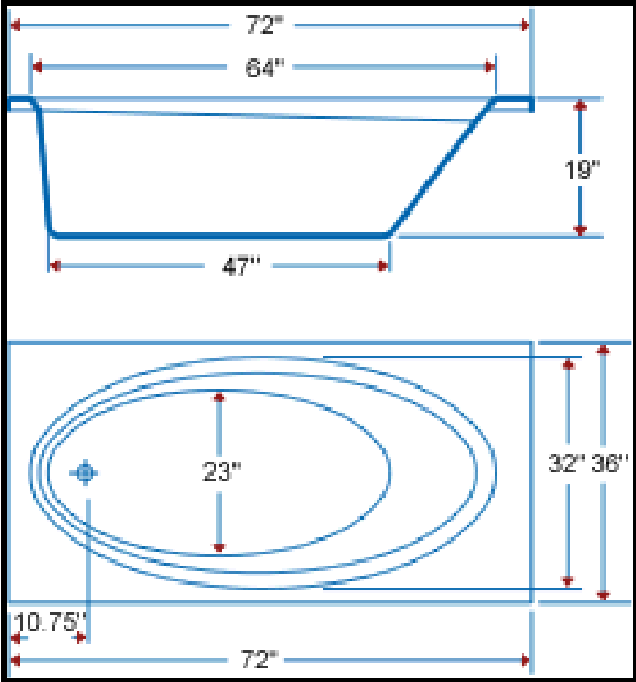
Dimensions: 72" x 36" x 19"

Water Capacity: 68 Gallons

Drain Position: 10.75" & Centered

Number of Jets: 6

*Note: Dimensions may vary + - 1/2 inch*



### Colors Available

White	Bone	Biscuit	Sandbar	Ice Gray	Mexican Sand	Black

[www.whitewaterinc.com](http://www.whitewaterinc.com)

<p><b>Utah County Showroom</b> 801-785-3554 195 S. Geneva Rd. Lindon, UT 84042</p>	<p><b>Sandy Showroom</b> 801-566-8555 9160 S. 300 W. #5 Sandy, UT 84070</p>	<p><b>Layton Showroom</b> 801-547-5005 377 Marshall Way #6 Layton, UT 84041</p>	<p><b>St. George Showroom</b> 435-688-0390  Dealer</p>
--	---	---	--